

# FILMGEAR

## Power Beam

**HYBRID**

**DAYLIGHT**

**9k/6kW**

**TUNGSTEN**

**12k/10kW**



### SPECIFICATIONS

Identity No.	L0900PBH
Capacity	Daylight : 9,000W / 6,000W Tungsten : 12,000W / 10,000W
Voltage	Daylight : 160V / 125V Tungsten : 200 - 240V AC
Parabolic Reflector	Ø628mm
Protective Lens	Ø645mm
Lamp Type	HMI 9kW / 6kW SE Tungsten 12kW / 10kW SE
Lamp Holder	GX38 / G38
Stirrup	Ø28mm Spigot
Class / IP Rating	1 / IP 23
Max. Surface Temp.	220 °C
Min. Dis. to Illuminated Obj.	18m
Min. Dis. to Flammable Obj.	1.5m
Operating Range	+45° ~ 0° ~ -45°
Weight (lamphead)	57kg

### LAMPHEAD CONTENTS

Lamp Housing with

- High Reflective Parabolic Glass Mirror
- On-Off Switch
- Stirrup with Ø28mm Spigot
- Lamphead to EB Cable 10m
- Inlet Cable 10m ( Bare End )

# Exclude Lamp Bulb

# HMI Mode : Requires Electronic Ballast

### ACCESSORIES



9k/6kW  
Electronic Ballast



9/6k  
Daylight  
9k/6kW Head to  
Ballast Cable



12/10k  
Tungsten  
12k/10kW Cable  
(Bare End)



Scrim with Bag



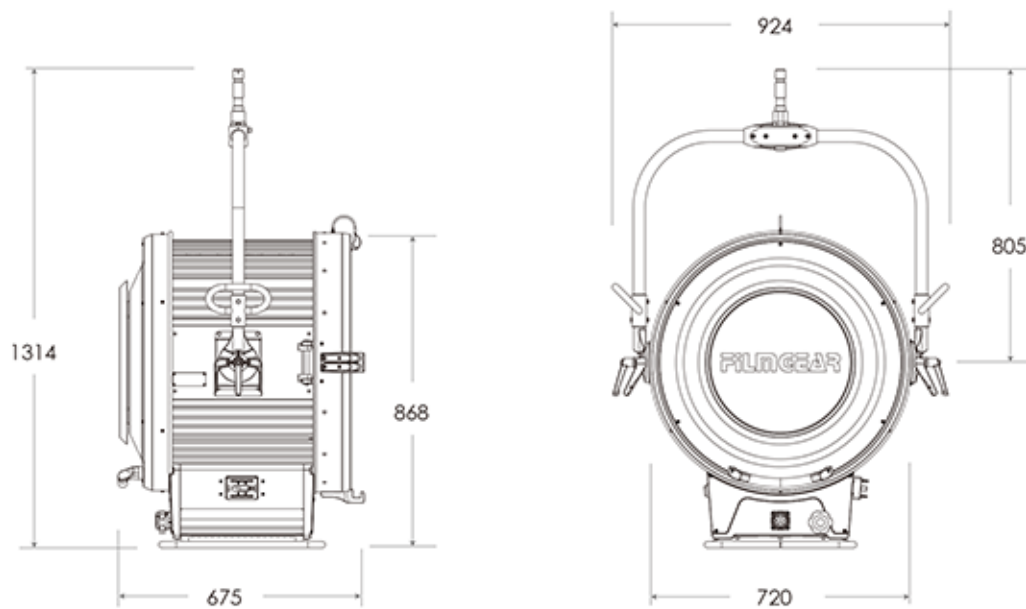
Transport Case

FILM GEAR INT. reserves the right to change or alter any of the items detailed on this page, to increase or improve manufacturing techniques without prior notice. © 2024/12/7

Film Gear (International) Ltd. No.7, Cumberland Road, Kowloon Tong, Hong Kong ☎ (852) 2794 3608 📠 (852) 2794 3662 ✉ info@filmgear.net  
Film Gear USA Group 9528 Rush Street, Suite A South El Monte, CA 91733, U.S.A ☎ 1-323-780-8880 ✉ joanna@filmgearusa.com

[www.filmgear.net](http://www.filmgear.net)

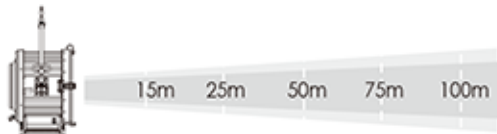
## DIMENSIONS (mm)



## PHOTOMETRIC DATA

DAYLIGHT

9k/6kW



9kW

Spot	Lux	190000	68400	17100	7600	4275
	Beam Ø	0.61m	0.61m	0.61m	0.61m	0.61m

Flood	Lux	19111	6880	1720	764	430
	Beam Ø	3.6 m	6.00m	12.01m	18.01m	24.02m

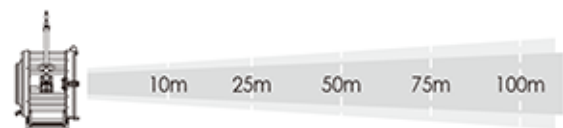
6kW

Spot	Lux	147217	53000	13250	5889	3312
	Beam Ø	0.61m	0.61m	0.61m	0.61m	0.61m

Flood	Lux	15111	5440	1360	604	340
	Beam Ø	3.6 m	6.00m	12.01m	18.01m	24.02m

TUNGSTEN

12k/10kW



12kW

Spot	Lux	32400	5184	1296	576	324
	Beam Ø	1.3 m	3.25 m	6.5 m	9.74 m	12.99 m

Flood	Lux	6800	1088	272	121	68
	Beam Ø	4.29 m	10.74 m	21.47 m	32.21 m	42.95 m

10kW

Spot	Lux	30290	4846	1212	538	303
	Beam Ø	1.3 m	3.25 m	6.5 m	9.74 m	12.99 m

Flood	Lux	6350	1016	254	113	64
	Beam Ø	4.29 m	10.74 m	21.47 m	32.21 m	42.95 m