

# FILMGEAR

## Power Beam

**HYBRID**

**DAYLIGHT**

**4k/2.5kW**

**TUNGSTEN**

**5k/2kW**



### SPECIFICATIONS

Identity No.	L0400PBH
Capacity	Daylight : 4,000W / 2,500W Tungsten : 5,000W / 2,000W
Voltage	Daylight : 200V / 115V Tungsten : 200 - 240V AC
Parabolic Reflector	Ø498mm
Protective Lens	Ø500mm
Lamp Type	HMI 4000W SE / 2500W SE Tungsten 5000W SE / 2000W SE
Lamp Holder	G38
Stirrup	Ø28mm Spigot
Class / IP Rating	1 / IP 23
Max. Surface Temp.	210 °C
Min. Dis. to Illuminated Obj.	15m
Min. Dis. to Flammable Obj.	1.5m
Operating Range	+45° ~ 0° ~ -45°
Weight (lamphead)	38kg

### LAMPHEAD CONTENTS

Lamp Housing with

- High Reflective Parabolic Glass Mirror
- On-Off Switch
- Stirrup with Ø28mm Spigot
- Lamphead to EB Cable 7m
- Inlet Cable 7m ( Bare End )

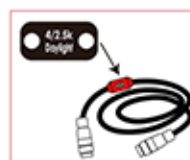
# Exclude Lamp Bulb

# HMI Mode : Requires Electronic Ballast

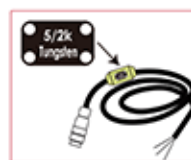
### ACCESSORIES



4k/2.5kW  
Electronic Ballast



4k/2.5kW Head to  
Ballast Cable



5k/2kW Cable  
(Bare End)



Scrim with Bag



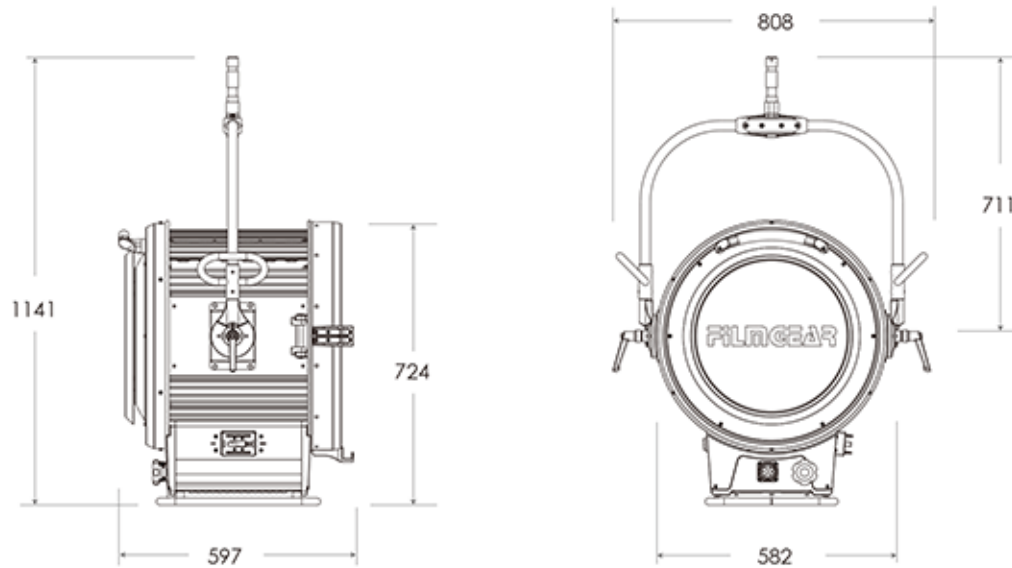
Transport Case

FILM GEAR INT. reserves the right to change or alter any of the items detailed on this page, to increase or improve manufacturing techniques without prior notice. © 20240127

Film Gear (International) Ltd. No.7, Cumberland Road, Kowloon Tong, Hong Kong ☎ (852) 2794 3608 📠 (852) 2794 3662 ✉ info@filmgear.net  
Film Gear USA Group 9528 Rush Street, Suite A South El Monte, CA 91733, U.S.A ☎ 1-323-780-8880 ✉ joanna@filmgearusa.com

[www.filmgear.net](http://www.filmgear.net)

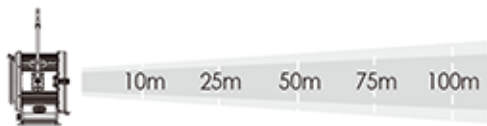
## DIMENSIONS (mm)



## PHOTOMETRIC DATA

### DAYLIGHT

**4k/2.5kW**



#### 4kW

Spot	Lux	151470	24240	6060	2690	1520
	Beam Ø	0.61m	0.61m	0.61m	0.61m	0.61m
Flood	Lux	19920	3190	800	350	200
	Beam Ø	2.4m	6m	12.01m	18.0m	24.02m

#### 2.5kW

Spot	Lux	109160	17470	4370	1940	1090
	Beam Ø	0.61m	0.61m	0.61m	0.61m	0.61m
Flood	Lux	12460	2030	510	230	130
	Beam Ø	2.4m	6m	12.01m	18.01m	24.02m

### TUNGSTEN

**5k/2kW**



#### 5kW

Spot	Lux	32000	4500	1469	720
	Beam Ø	1.28 m	3.4 m	5.95 m	8.5 m
Flood	Lux	3653	514	168	82
	Beam Ø	3.38 m	9 m	15.75 m	22.5 m

#### 2kW

Spot	Lux	35556	5000	1633	800
	Beam Ø	0.83 m	2.2 m	3.85 m	5.5 m
Flood	Lux	1557	219	72	35
	Beam Ø	3.38 m	9 m	15.75 m	22.5 m