

FILMGEAR

Power Beam

HYBRID

DAYLIGHT

18k/12kW

TUNGSTEN

24k/20kW

SPECIFICATIONS

Identity No.	L1800PBH
Capacity	Daylight : 18,000W / 12,000W Tungsten : 24,000W / 20,000W
Voltage	Daylight : 225V / 160V Tungsten : 200 - 240V AC
Parabolic Reflector	Ø914mm
Protective Lens	Ø883mm
Lamp Type	HMI 18kW SE / 12kW SE Tungsten 24kW SE / 20kW SE
Lamp Holder	GX51 / GX38 / G38
Stirrup	Ø28mm Spigot
Class / IP Rating	1 / IP 23
Max. Surface Temp.	260 °C
Min. Dis. to Illuminated Obj.	22.5m
Min. Dis. to Flammable Obj.	2.5m
Operating Range	+45° ~ 0° ~ -45°
Weight (lamphead)	95kg

LAMPHEAD CONTENTS

Lamp Housing with

- High Reflective Parabolic Glass Mirror
- Stirrup with Ø28mm Spigot
- Lamphead to EB Cable 15m
- Inlet Cable 15m (Bare End)

Exclude Lamp Bulb

HMI Mode : Requires Electronic Ballast

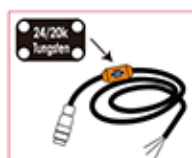
ACCESSORIES



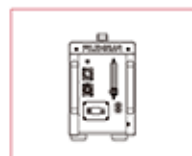
18k/12kW
Electronic Ballast



18k/12kW Head to
Ballast Cable



24k/20kW Cable
(Bare End)



Electronic Dimmer
24kW/12kW DMX



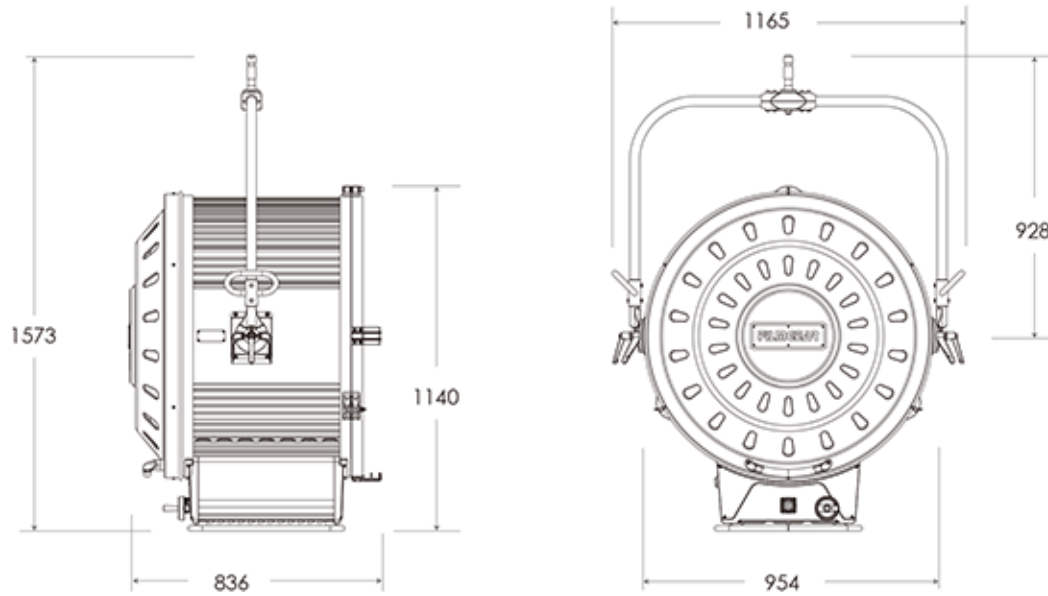
Transport Case

FILM GEAR INT. reserves the right to change or alter any of the items detailed on this page, to increase or improve manufacturing techniques without prior notice. © 20240127

Film Gear (International) Ltd. No.7, Cumberland Road, Kowloon Tong, Hong Kong ☎ (852) 2794 3608 📠 (852) 2794 3662 ✉ info@filmgear.net
Film Gear USA Group 9528 Rush Street, Suite A South El Monte, CA 91733, U.S.A ☎ 1-323-780-8880 ✉ joanna@filmgearusa.com

www.filmgear.net

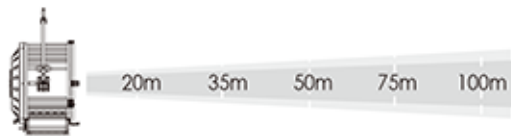
DIMENSIONS (mm)



PHOTOMETRIC DATA

DAYLIGHT

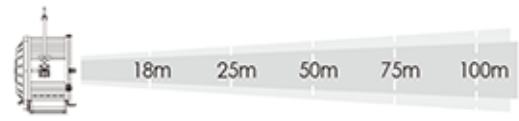
18k/12kW



18kW		20m	35m	50m	75m	100m
Spot	Lux	181130	59144	28980	12885	7245
	Beam Ø	0.96m	0.96m	0.96m	0.96m	0.96m
Flood	Lux	15935	5203	2550	1125	645
	Beam Ø	5.98m	10.46m	14.95m	22.42m	29.89m
12kW						
Spot	Lux	120753	39430	19320	8590	4830
	Beam Ø	0.96m	0.96m	0.96m	0.96m	0.96m
Flood	Lux	10623	3469	1700	750	430
	Beam Ø	5.98m	10.46m	14.95m	22.42m	29.89m

TUNGSTEN

24k/20kW



24kW		18m	25m	50m	75m	100m
Spot	Lux	24916	12918	3230	1435	807
	Beam Ø	1.73 m	2.4 m	4.8 m	7.2 m	9.6 m
Flood	Lux	7864	4075	1019	453	255
	Beam Ø	5.34 m	7.41 m	14.82 m	22.23 m	29.64 m
20kW						
Spot	Lux	26380	13675	3419	1519	855
	Beam Ø	1.73 m	2.4 m	4.8 m	7.2 m	9.6 m
Flood	Lux	6944	3599	900	400	225
	Beam Ø	5.34 m	7.41 m	14.82 m	22.23 m	29.64 m