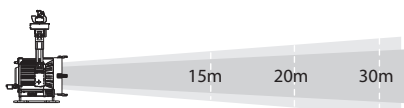


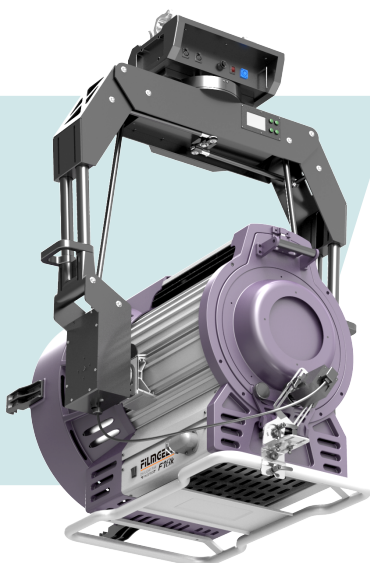
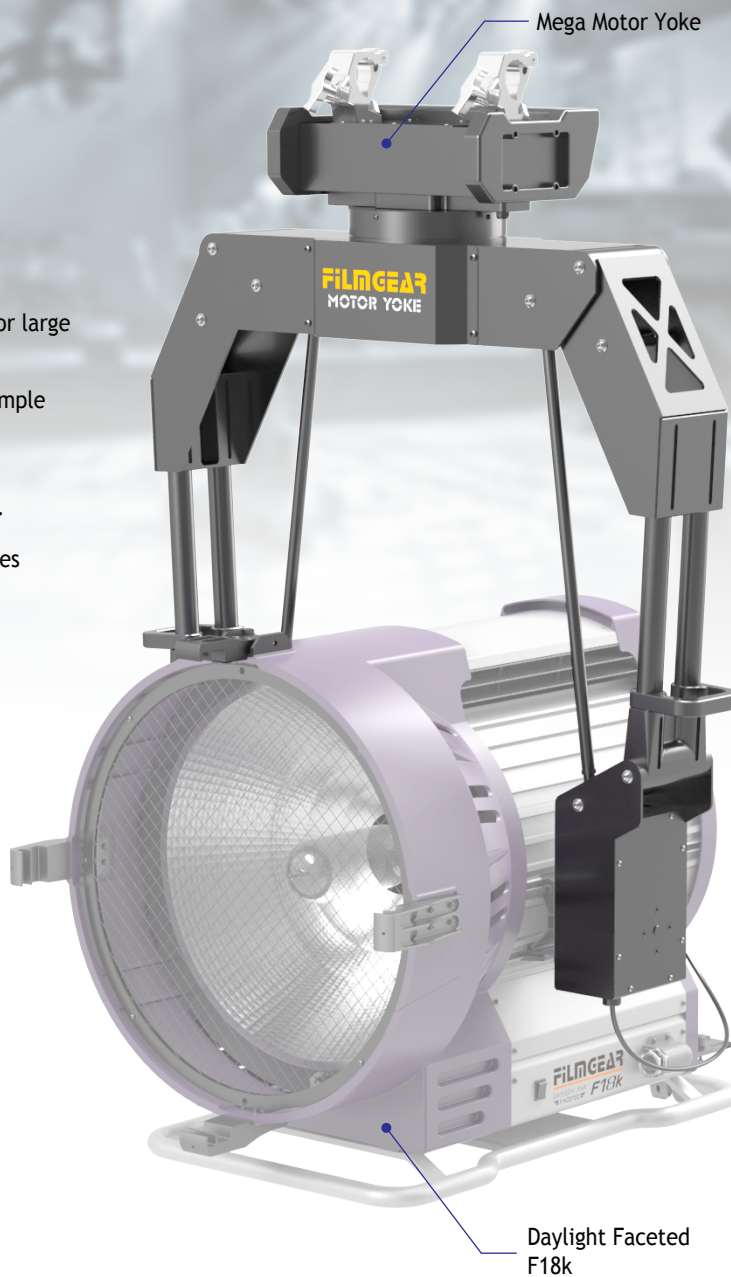
MEGA MOTOR YOKE

PRODUCT FEATURES

- Motor Yoke offers remote pan, tilt and focus for large daylight and tungsten fixtures.
- These fixtures can be operated from using a simple analog control or DMX control.
- A interlock system allow for a fixtures to be adapted to the Motor Yoke quickly on location.
- The stirrup with different adaptors accomodates ALL FILMGEAR lighting from 6kW ~ 24kW.
- Adjustable slipping clutch stop
- Current overload stop
- ON / OFF switch with integrated circuit breaker
- Spring loaded reverse potentiometer (analog controller)



Spot 14.8°	LUX	23361	13141	5840
	Beam ø	3.90m	5.20m	7.79m
Spot 51.3°	LUX	8398	4724	2100
	Beam ø	14.41m	19.21m	28.81m



ACCESSORIES

- Focus Unit
- Mitchell Adapter
- "Basic" DMX - converter
- Upgrade Fully Programmable DMX, incl. FP DMX - converter
- Analog Hand Controller
- 20m Extension Cable for Analog Hand Controller
- Mega Claw

FILMGEAR®

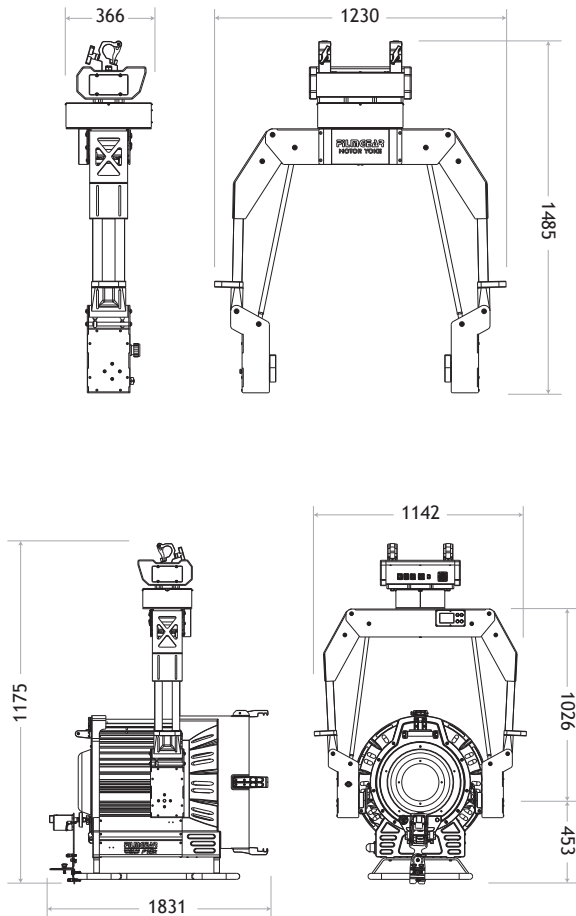
Daylight Par
Faceted
F18K
L18000FP



LAMPHEAD SPECIFICATIONS

Identity No.	L18000FP
Capacity	18,000W
Lamp Bulb Voltage	200V
UV Protective Lens	Ø645mm
Lamp Type	HMI 18000W/SE
Color Temp.	5600K
Lamp Holder	GX51
Class / IP Rating	1 / IP 23
Max. Surface Temp.	260 °C
Max. Ambient Temp.	45 °C
Min. Distance to Illuminated Object	15 m
Min. Distance to Flammable Object	2 m
Weight (Lamphead)	66.0 kg

DIMENSIONS (mm)



MOTOR YOKE SPECIFICATIONS

Identity No.	A0309MMY
Max. Power	100VA
Voltage	90 - 265V AC
Frequency	50 / 60 Hz
Max. Load	80 kg (176 lb)
Max. Fixture Width	920 mm
Min. Fixture Width	310 mm
Pan Speed	5.5° /S - 16° /S
Tilt Speed	3° /S - 9° /S
Focus Speed	120° /S
Pivot Range - Pan	infinite : Adjustable slipping clutch stop (0-80Nm)
Pivot Range - Tilt	infinite : Adjustable slipping clutch stop (0-80Nm)
Pivot Range - Focus	infinite : Current overload / torque stops (5Nm)
Hand Controller	Control Pan, Tilt & Focus
DMX Interface	DMX 512 Controller Box
DMX Addressing	Converter Box Assignment Buttons (Up/Down)
Class / IP Rating	1 / IP 43
Weight	40.0kg

Movement	DC Motor Capacity (Max.Load)	Max. Moving Angle	Time per Max. Distance		DMX Channel	DMX Address
			Max.	Min.		
Pan	30W	8° - 333°	- 16°/S	- 5.5°/S	3	1 - Pan
						2 - Pan Fine
						3 - Pan Speed
Tilt	30W	30° - 118°	- 9°/S	- 3°/S	3	4 - Tilt
						5 - Tilt Fine
						6 - Tilt Speed
Focus	15W		- 120°/S		1	7 - Focus

PRODUCT FEATURES

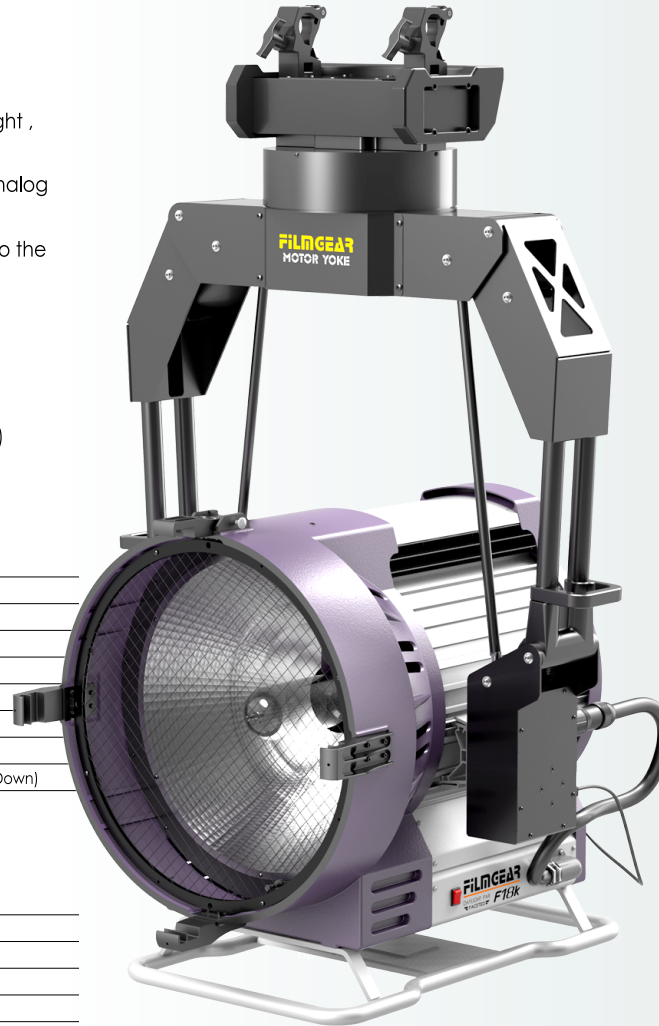
- Motor Yoke offers remote pan, tilt and focus for daylight, tungsten and LED lighting fixtures.
- These fixtures can be operated from using a simple analog control or DMX control.
- A interlock system allow for a fixtures to be adapted to the Motor Yoke quickly on location.
- Adjustable slipping clutch stop
- Current overload stop
- ON / OFF switch with integrated circuit breaker
- Spring loaded reverse potentiometer (analog controller)

SPECIFICATIONS

Pivot Range - Pan	Infinite : Adjustable slipping clutch stop (0-80Nm)
Pivot Range - Tilt	Infinite : Adjustable slipping clutch stop (0-80Nm)
Pivot Range - Focus	Infinite : Current overload / torque stops (5Nm)
Hand Controller	Controller Pan, Tilt & Focus
DMX Interface	DMX 512 Controller Box
DMX Addressing	Converter Box Assignment Buttons (Up/Down)

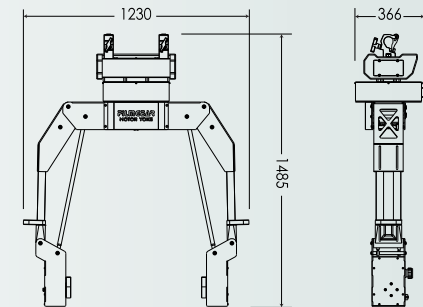
ACCESSORIES

Focus Unit	
Mitchell Adapter	
"Basic" DMX - converter	
Upgrade Fully Programmable DMX, incl. FP DMX - converter	
Analog Hand Controller	
Extension Cable for Analog Hand Controller	
Mega Claw	



MEGA MOTOR YOKE

DIMENSIONS (mm)



80.0 kg

TILT

Focus

PAN

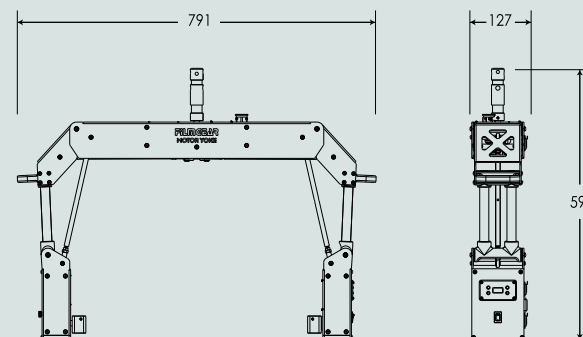
MYF 80

A0309MMY
(with F18k)



MYF 40
 A0200TMY
 (with DF 4kW/2,5kW SE)

DIMENSIONS (mm)



40.0 kg



TILT



Focus



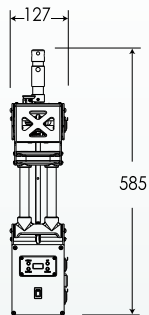
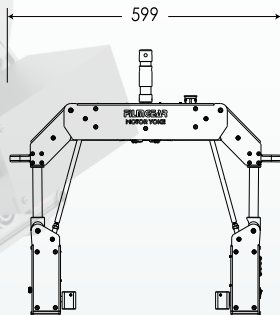
PAN

MOTOR YOKE

MYF 20

A050LSMY
(with LFD 500)

DIMENSIONS (mm)

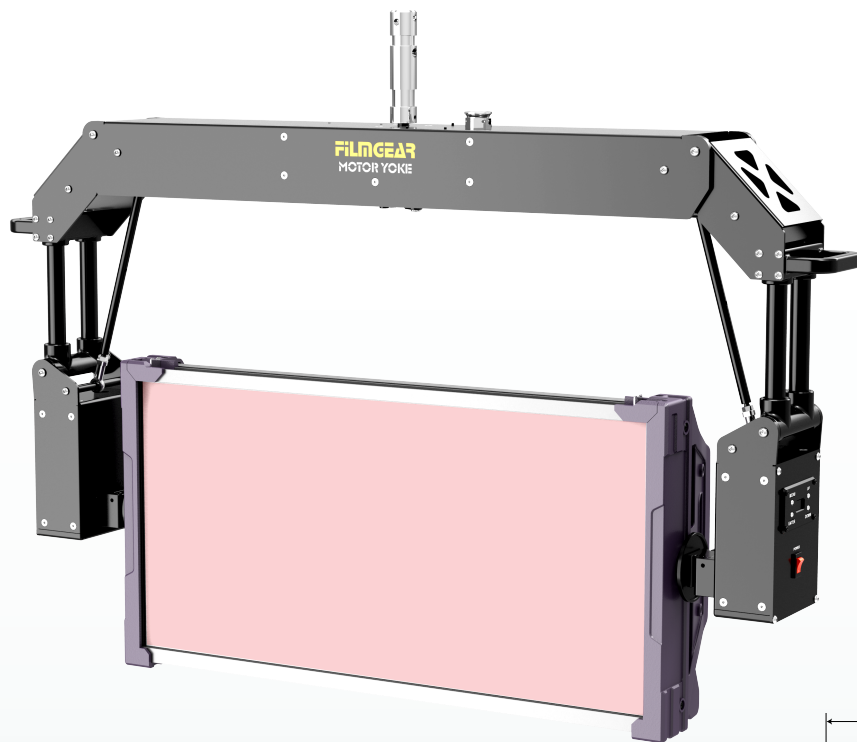


20.0 kg




TILT

Focus

PAN



MY 20
A040LRMY
(with RGB 400)

-  20.0 kg
-  TILT
-  PAN

DIMENSIONS (mm)

